



stanos

spot light

The modern black or white Stanos spot light offers varied and cleverly controlled light. The head can rotate and be adjusted from up to down, this option enables optimal lighting diffusion. You can choose different shades of white, so that the right light is available for every moment of the day and every mood. The spotlight is controlled with the compatible App via your own smartphone or tablet. Operation without internet access is also possible with the corresponding remote control available as an accessory.



* Dimming



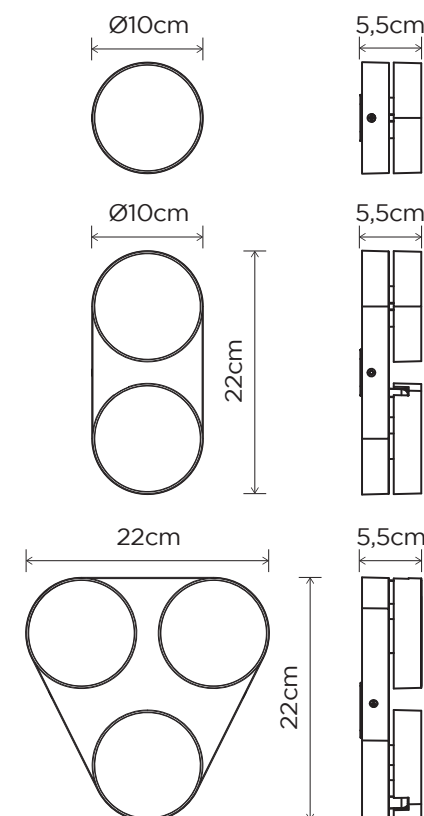
Tunable whites



Activity lights



Night Reading Relaxing



smart lighting technology



1 spot: 8600501446

● WHITE

1 spot: 8600501012

○ BLACK

Class II
LED 6.8W - 400 LUMEN
Aluminum + Plastic



2 spots: 8600502446

● WHITE

2 spots: 8600502012

○ BLACK

Class II
2xLED 6.8W - 800 LUMEN
Aluminum + Plastic



3 spots: 8600504446

● WHITE

3 spots: 8600504012

○ BLACK

Class II
3xLED 6.8W - 1200 LUMEN
Aluminum + Plastic

